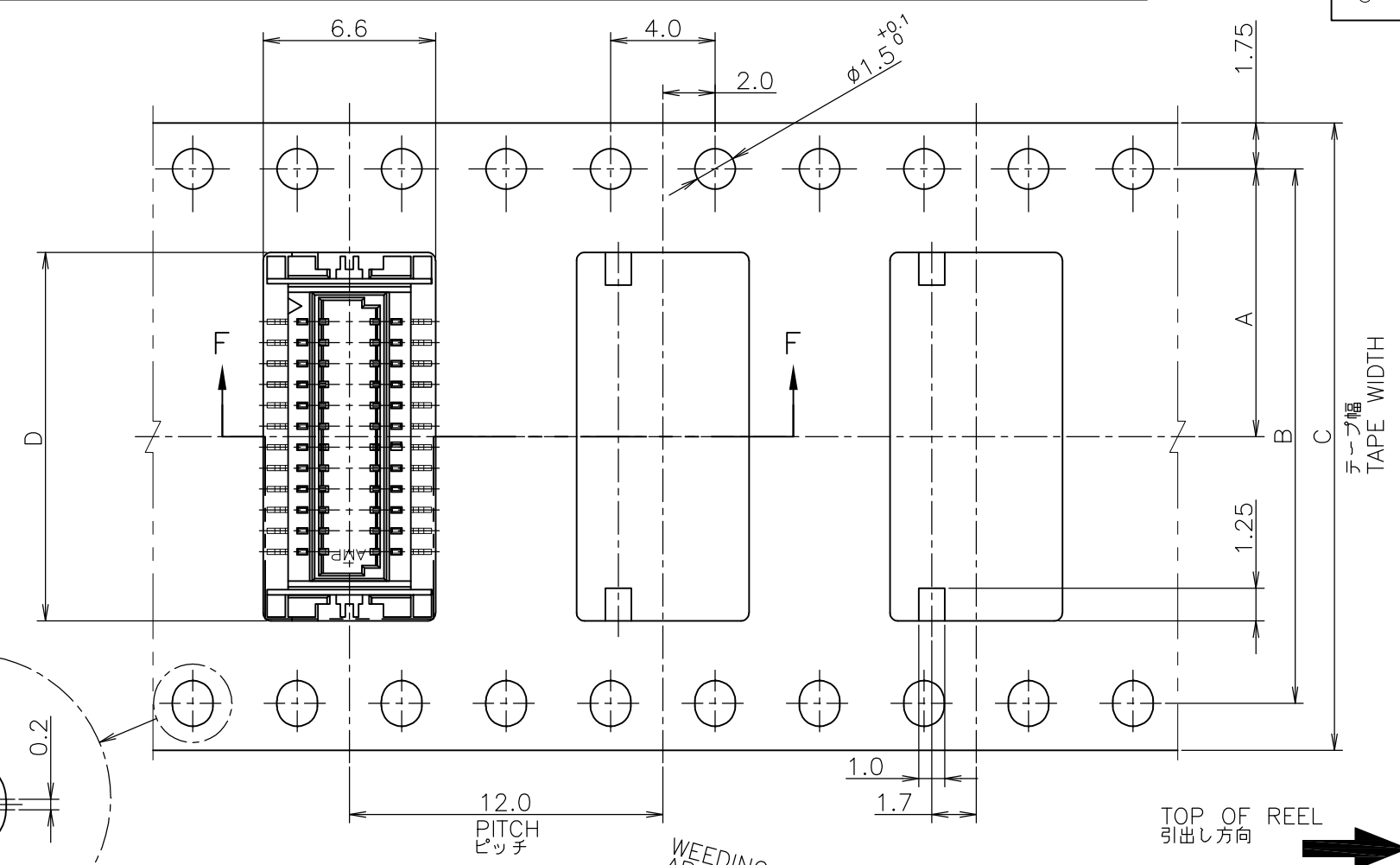


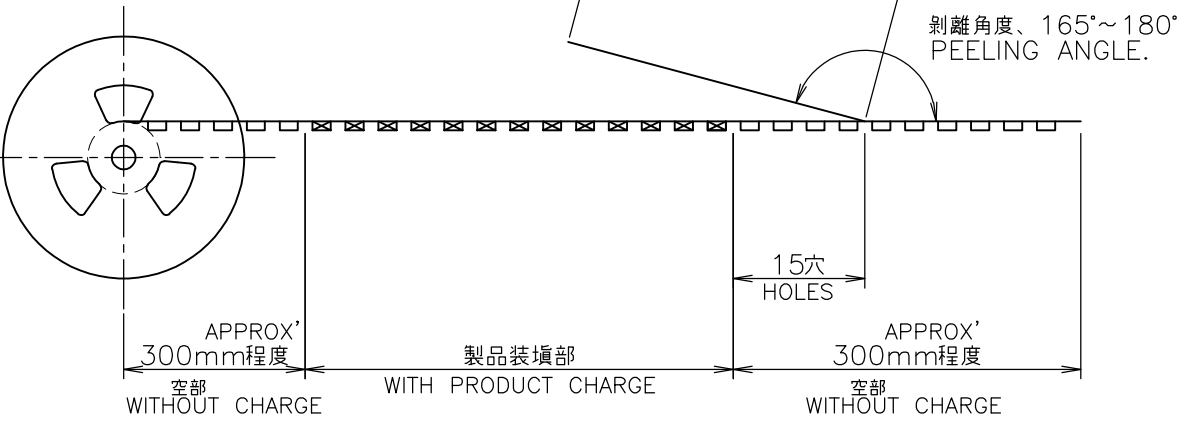
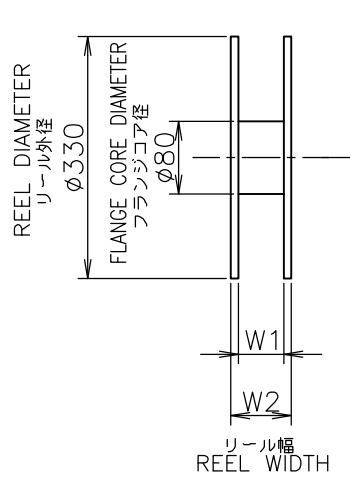
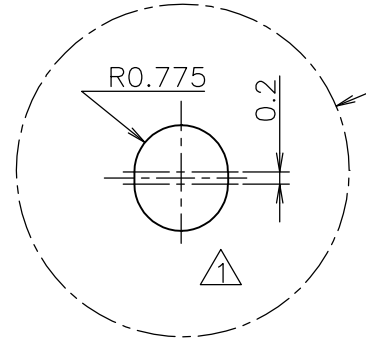
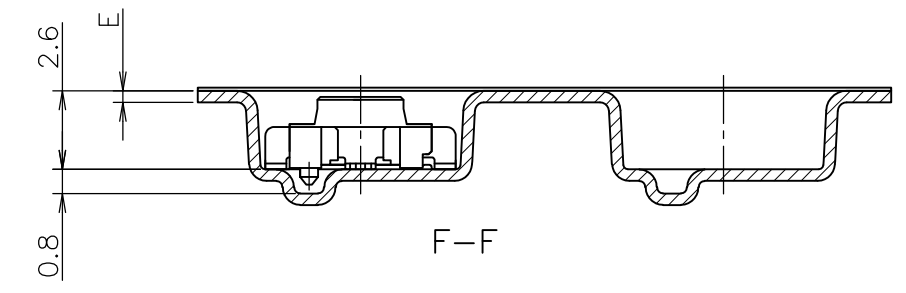
THIS DRAWING IS UNPUBLISHED. RELEASED FOR PUBLICATION FEB, 1994.  
 © COPYRIGHT 1994 BY TYCO ELECTRONICS CORPORATION. ALL RIGHTS RESERVED.

LOC	DIST	REVISIONS					
J		P	LTR	DESCRIPTION	DATE	DWN	APVD
		L		REVISED ECR-07-019218	14AUG07	T.T	T.F



AS SHOWN 24POS.

△ 指示穴は40極品以上に適用。  
 △ THESE HOLES ARE APPLIED TO 40 POS OR MORE.



WEEDING THE COVER TAPE AROUND THE OUTER PERIPHERY IN A TURN.  
 カバーテープリーダー部外周一巻  
 剥離角度、165°~180° PEELING ANGLE.

BLACK	29.5	25.5	0.38	16.5	24	—	11.5	1500	30	3-179397-5
BEIGE	49.5	45.5	0.38	24.5	44	40.4	20.2	1500	50	5-179397-0
↑	37.5	33.5	↑	20.5	32	28.4	14.2	↑	40	4-↑-0
↑	↑	↑	↑	16.5	↑	—	↑	↑	30	3-↑-0
↑	29.5	25.5	↑	14.1	24	—	11.5	↑	24	2-↑-4
↑	↑	↑	↑	10.9	↑	—	↑	↑	16	1-↑-6
↑	21.5	17.5	0.38	10.1	↑	—	↑	↑	14	1-↑-4
BEIGE	22.4	16.4	0.4	9.3	16	—	7.5	1500	12	1-179397-2

INSTRUCTION SHEET 411-5654

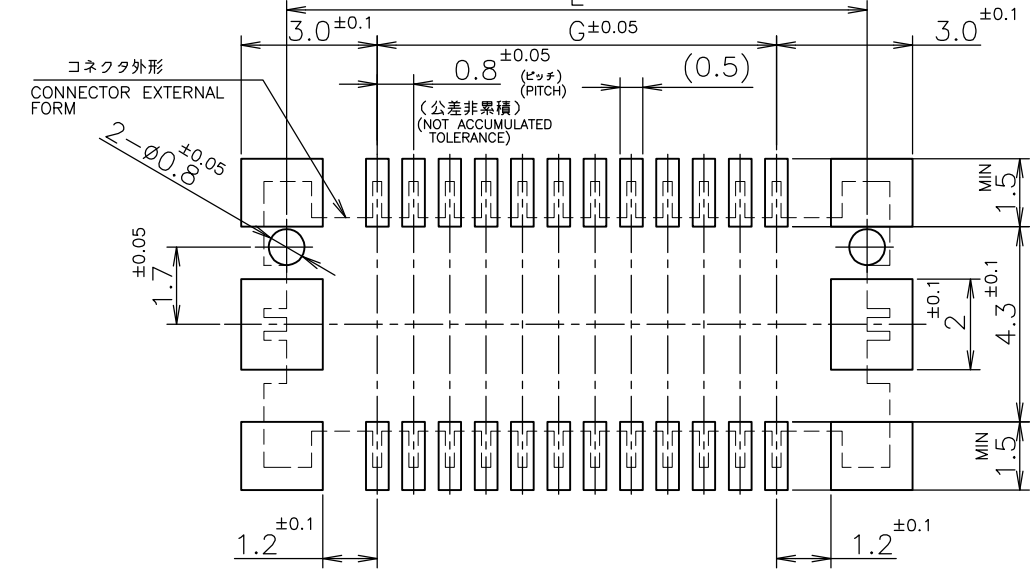
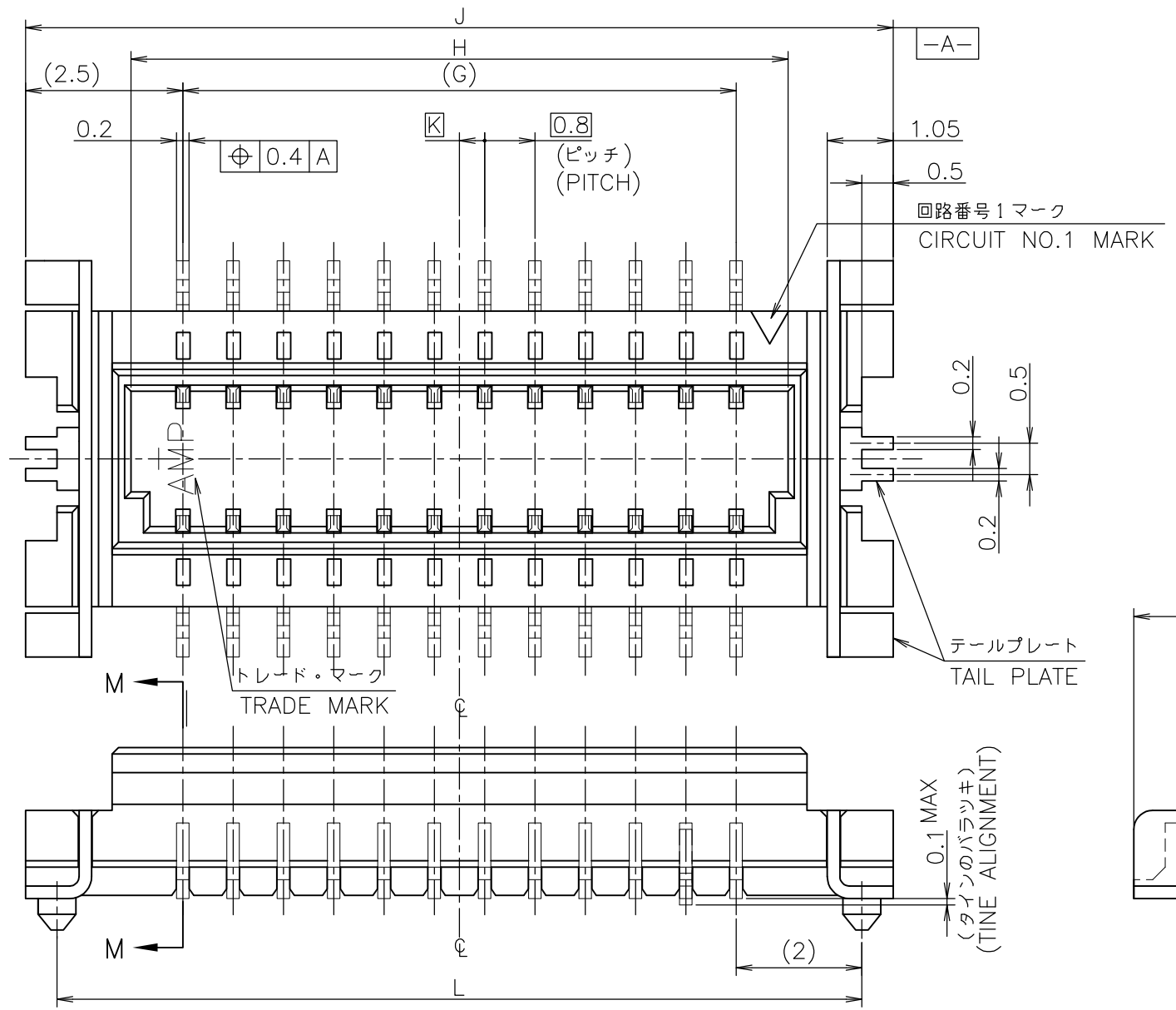
THIS DRAWING IS A CONTROLLED DOCUMENT.

DIMENSIONS: 単位: 耗 mm	TOLERANCES UNLESS OTHERWISE SPECIFIED: 一般公差	DWN K.ASAKAWA 24FEB94	Tyco Electronics Corporation Kawasaki, Japan	
0 PLC ± 0.2	1 PLC ± 0.2	CHK S.KUBOUCHI 24FEB94	ON TAPING EMBOSS CAP ASSEMBLY WITH BOSS	
2 PLC ± 0.2	3 PLC ± 0.2	APVD S.KUBOUCHI 01NOV96	0.8mm PITCH BOARD TO BOARD CONNECTOR	
4 PLC ± 0.2	ANGLES ± 3'	NAME S.KUBOUCHI	MATING HEIGHT 3.0mm	
MATERIAL 材料	FINISH 仕上	PRODUCT SPEC 製品規格 108-5424	SIZE A3	CAGE CODE 00779
		APPLICATION SPEC 取付適用規格	DRAWING NO G-179397	RESTRICTED TO
		WEIGHT	SCALE 4:1	SHEET 1 OF 2

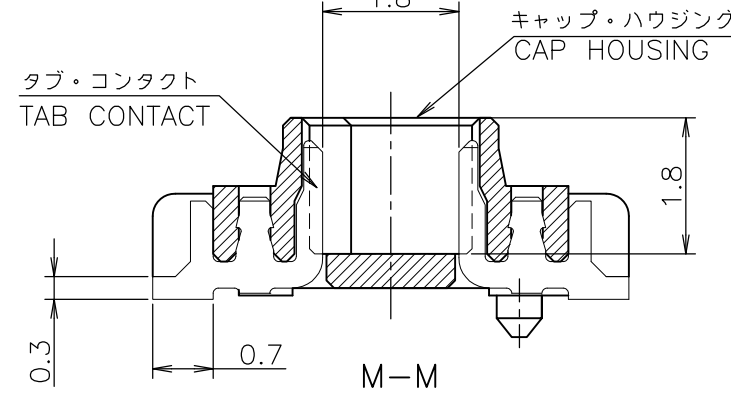
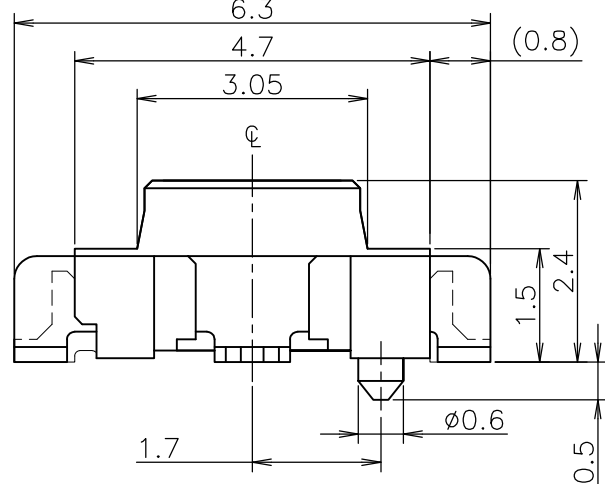
CUSTOMER DRAWING

THIS DRAWING IS UNPUBLISHED. RELEASED FOR PUBLICATION FEB, 1994.  
 © COPYRIGHT 1994 BY TYCO ELECTRONICS CORPORATION. ALL RIGHTS RESERVED.

LOC		DIST		REVISIONS 変更				
P	LTR	DESCRIPTION			DATE	DWN	APVD	
J				SEE SHEET 1	-	-	-	



参考基板加工寸法 (t=0.6 MIN.)  
 REFERENCE P.C. BOARD LAYOUT  
 (SCALE 6:1)



0.241	15.2	—//—	16.2	12.8	11.2	30
0.361	23.2	—//—	24.2	20.8	19.2	50
0.301	19.2	0.4	20.2	16.8	15.2	40
0.241	15.2	—//—	16.2	12.8	11.2	30
0.205	12.8	0.4	13.8	10.4	8.8	24
0.157	9.6	0.4	10.6	7.2	5.6	16
0.145	8.8	—//—	9.8	6.4	4.8	14
0.133	8.0	0.4	9.0	5.6	4.0	12
重量 (g) WEIGHT	L	K	J	H	G	極数 POS

△ 材料：ハウジング - 6T NYLON (高耐熱性ナイロン)  
 ガラス30%, 色: ベージュ  
 コンタクト - 燐青銅・錫めっき(0.2t)  
 テールプレート - 燐青銅・錫めっき(0.2t)

△ MATERIAL: HOUSING - 6T NYLON (HIGH HEAT-RESISTED NYLON), GF30%,  
 COLOR: BEIGE.  
 CONTACT - POST-TIN/PHOS-BROZ(0.2t)  
 TAIL PLATE - POST-TIN/PHOS-BROZ(0.2t)

THIS DRAWING IS A CONTROLLED DOCUMENT.		DWN	___/___/___
		CHK	___/___/___
		APVD	___/___/___
DIMENSIONS: 単位: 概 mm	TOLERANCES UNLESS OTHERWISE SPECIFIED: 一般公差	PRODUCT SPEC 製品規格	NAME 名称 <b>ON TAPING EMBOSS CAP ASSEMBLY WITH BOSS</b> <b>0.8mm PITCH BOARD TO BOARD CONNECTOR</b> <b>MATING HEIGHT 3.0mm</b>
	0 PLC ± 0.2 1 PLC ± 0.2 2 PLC ± 0.2 3 PLC ± 0.2 4 PLC ± 0.2 ANGLES ± 3'	APPLICATION SPEC 取付適用規格	
MATERIAL 材料	FINISH 仕上	WEIGHT	RESTRICTED TO 番号
SEE NOTE 2 注△参照	SEE NOTE 2 注△参照		SIZE A3 CAGE CODE 00779 DRAWING NO G-179397
CUSTOMER DRAWING			SCALE 尺度 10:1 SHEET 2 OF 2 REV L